

NPN Silicon Transistors

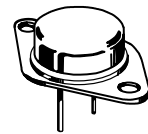
... fast switching speeds and high current capacity ideally suit these parts for use in switching regulators, inverters, wide-band amplifiers and power oscillators in industrial and commercial applications.

- High Speed — $t_f = 0.5 \mu s$ (Max)
- High Current — $I_C(\max) = 30$ Amps
- Low Saturation — $V_{CE(sat)} = 2.5$ V (Max) @ $I_C = 20$ Amps

2N5038*
2N5039

*Motorola Preferred Device

**20 AMPERE
NPN SILICON
POWER TRANSISTORS
75 and 90 VOLTS
140 WATTS**



**CASE 1-07
TO-204AA
(TO-3)**

*MAXIMUM RATINGS

Rating	Symbol	2N5038	2N5039	Unit
Collector-Base Voltage	V_{CBO}	150	120	Vdc
Collector-Emitter Voltage	V_{CEV}	150	120	Vdc
Emitter-Base Voltage	V_{EBO}	7		Vdc
Collector Current — Continuous	I_C	20		Adc
Peak (1)	I_{CM}	30		
Base Current — Continuous	I_B	5		Adc
Total Device Dissipation @ $T_C = 25^\circ C$	P_D	140		Watts
Derate above $25^\circ C$		0.8		W/ $^\circ C$
Operating and Storage Junction Temperature Range	T_J, T_{stg}	-65 to +200		$^\circ C$

THERMAL CHARACTERISTICS

Characteristic	Symbol	Max	Unit
Thermal Resistance, Junction to Case	$R_{\theta JC}$	1.25	$^\circ C/W$

* Indicates JEDEC Registered Data.

(1) Pulse Test: Pulse Width ≤ 10 ms, Duty Cycle $\leq 50\%$.

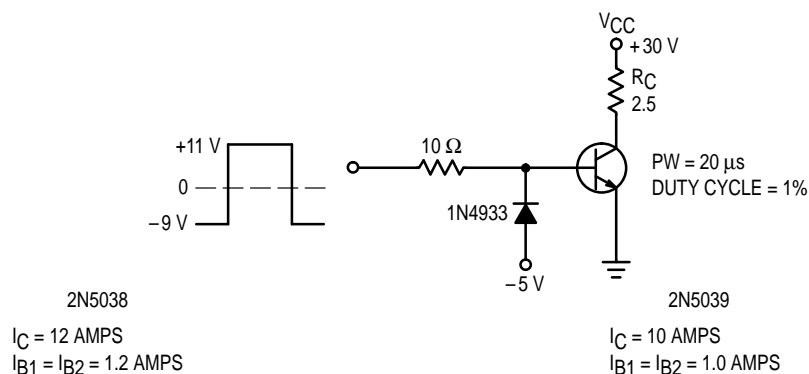


Figure 1. Switching Time Test Circuit

Preferred devices are Motorola recommended choices for future use and best overall value.

REV 7

2N5038 2N5039

*ELECTRICAL CHARACTERISTICS ($T_C = 25^\circ\text{C}$ unless otherwise noted)

Characteristic	Symbol	Min	Max	Unit
OFF CHARACTERISTICS				
Collector–Emitter Sustaining Voltage (1) ($I_C = 200\text{ mA}$, $I_B = 0$)	$V_{CEO(sus)}$	90 75	— —	Vdc
Collector Cutoff Current ($V_{CE} = 140\text{ Vdc}$, $V_{BE(off)} = 1.5\text{ V}$) ($V_{CE} = 110\text{ Vdc}$, $V_{BE(off)} = 1.5\text{ V}$) ($V_{CE} = 100\text{ Vdc}$, $V_{BE(off)} = 1.5\text{ Vdc}$, $T_C = 150^\circ\text{C}$) ($V_{CE} = 85\text{ Vdc}$, $V_{BE(off)} = 1.5\text{ Vdc}$, $T_C = 150^\circ\text{C}$)	I_{CEX}	— — — —	50 50 10 10	mAdc
Emitter Cutoff Current ($V_{EB} = 5\text{ Vdc}$, $I_C = 0$) ($V_{EB} = 7\text{ Vdc}$, $I_C = 0$)	I_{EBO}	— — —	5 15 50	mAdc

ON CHARACTERISTICS (1)

DC Current Gain ($I_C = 12\text{ Adc}$, $V_{CE} = 5\text{ Vdc}$) ($I_C = 10\text{ Adc}$, $V_{CE} = 5\text{ Vdc}$)	h_{FE}	20 20	100 100	—
Collector–Emitter Saturation Voltage ($I_C = 20\text{ Adc}$, $I_B = 5\text{ Adc}$)	$V_{CE(sat)}$	—	2.5	Vdc
Base–Emitter Saturation Voltage ($I_C = 20\text{ Adc}$, $I_B = 5\text{ Adc}$)	$V_{BE(sat)}$	—	3.3	Vdc

DYNAMIC CHARACTERISTICS

Magnitude of Common–Emitter Small–Signal Short–Circuit Forward Current Transfer Ratio ($I_C = 2\text{ Adc}$, $V_{CE} = 10\text{ Vdc}$, $f = 5\text{ MHz}$)	$ h_{fe} $	12	—	—
---	------------	----	---	---

SWITCHING CHARACTERISTICS

RESISTIVE LOAD						
Rise Time	$(V_{CC} = 30\text{ Vdc})$					
Storage Time						
Fall Time	$(I_C = 12\text{ Adc}, I_{B1} = I_{B2} = 1.2\text{ Adc})$	2N5038	t_r	—	0.5	μs
	$(I_C = 10\text{ Adc}, I_{B1} = I_{B2} = 1\text{ Adc})$	2N5039	t_s	—	1.5	μs
			t_f	—	0.5	μs

* Indicates JEDEC Registered Data.

(1) Pulse Test: Pulse Width $\leq 300\text{ }\mu\text{s}$, Duty Cycle $\leq 2\%$.

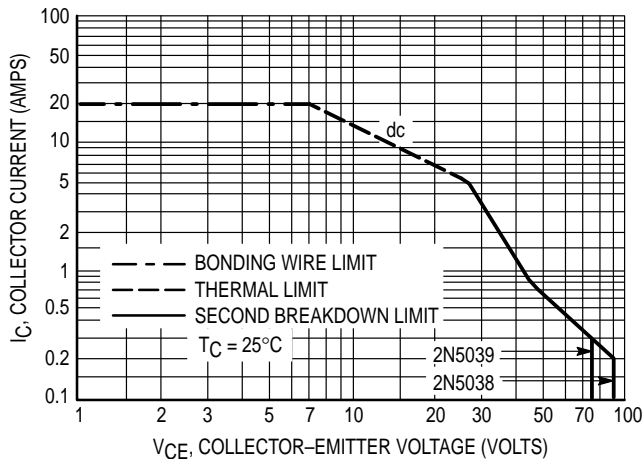
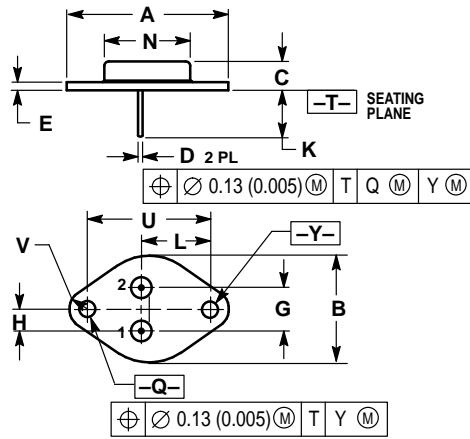


Figure 2. Forward Bias Safe Operating Area

There are two limitations on the power handling ability of a transistor: average junction temperature and second breakdown. Safe operating area curves indicate $I_C - V_{CE}$ limits of the transistor that must be observed for reliable operation; i.e., the transistor must not be subjected to greater dissipation than the curves indicate.

Second breakdown pulse limits are valid for duty cycles to 10%. At high case temperatures, thermal limitations may reduce the power that can be handled to values less than the limitations imposed by second breakdown.

PACKAGE DIMENSIONS




- NOTES:
1. DIMENSIONING AND TOLERANCING PER ANSI Y14.5M, 1982.
 2. CONTROLLING DIMENSION: INCH.
 3. ALL RULES AND NOTES ASSOCIATED WITH REFERENCED TO-204AA OUTLINE SHALL APPLY.

DIM	INCHES		MILLIMETERS	
	MIN	MAX	MIN	MAX
A	1.550 REF		39.37 REF	
B	—	1.050	—	26.67
C	0.250	0.335	6.35	8.51
D	0.038	0.043	0.97	1.09
E	0.055	0.070	1.40	1.77
G	0.430 BSC		10.92 BSC	
H	0.215 BSC		5.46 BSC	
K	0.440	0.480	11.18	12.19
L	0.665 BSC		16.89 BSC	
N	—	0.830	—	21.08
Q	0.151	0.165	3.84	4.19
U	1.187 BSC		30.15 BSC	
V	0.131	0.188	3.33	4.77

STYLE 1:
 PIN 1: BASE
 2: EMITTER
 CASE: COLLECTOR

CASE 1-07
 TO-204AA (TO-3)
 ISSUE Z

Motorola reserves the right to make changes without further notice to any products herein. Motorola makes no warranty, representation or guarantee regarding the suitability of its products for any particular purpose, nor does Motorola assume any liability arising out of the application or use of any product or circuit, and specifically disclaims any and all liability, including without limitation consequential or incidental damages. "Typical" parameters can and do vary in different applications. All operating parameters, including "Typicals" must be validated for each customer application by customer's technical experts. Motorola does not convey any license under its patent rights nor the rights of others. Motorola products are not designed, intended, or authorized for use as components in systems intended for surgical implant into the body, or other applications intended to support or sustain life, or for any other application in which the failure of the Motorola product could create a situation where personal injury or death may occur. Should Buyer purchase or use Motorola products for any such unintended or unauthorized application, Buyer shall indemnify and hold Motorola and its officers, employees, subsidiaries, affiliates, and distributors harmless against all claims, costs, damages, and expenses, and reasonable attorney fees arising out of, directly or indirectly, any claim of personal injury or death associated with such unintended or unauthorized use, even if such claim alleges that Motorola was negligent regarding the design or manufacture of the part. Motorola and  are registered trademarks of Motorola, Inc. Motorola, Inc. is an Equal Opportunity/Affirmative Action Employer.

How to reach us:

USA / EUROPE: Motorola Literature Distribution;
P.O. Box 20912; Phoenix, Arizona 85036. 1-800-441-2447

JAPAN: Nippon Motorola Ltd.; Tatsumi-SPD-JLDC, Toshikatsu Otsuki,
6F Seibu-Butsuryu-Center, 3-14-2 Tatsumi Koto-Ku, Tokyo 135, Japan. 03-3521-8315

MFAX: RMFAX0@email.sps.mot.com - TOUCHTONE (602) 244-6609
INTERNET: <http://Design-NET.com>

HONG KONG: Motorola Semiconductors H.K. Ltd.; 8B Tai Ping Industrial Park,
51 Ting Kok Road, Tai Po, N.T., Hong Kong. 852-26629298

